



ROCKET[®]
ESPRESSO MILANO

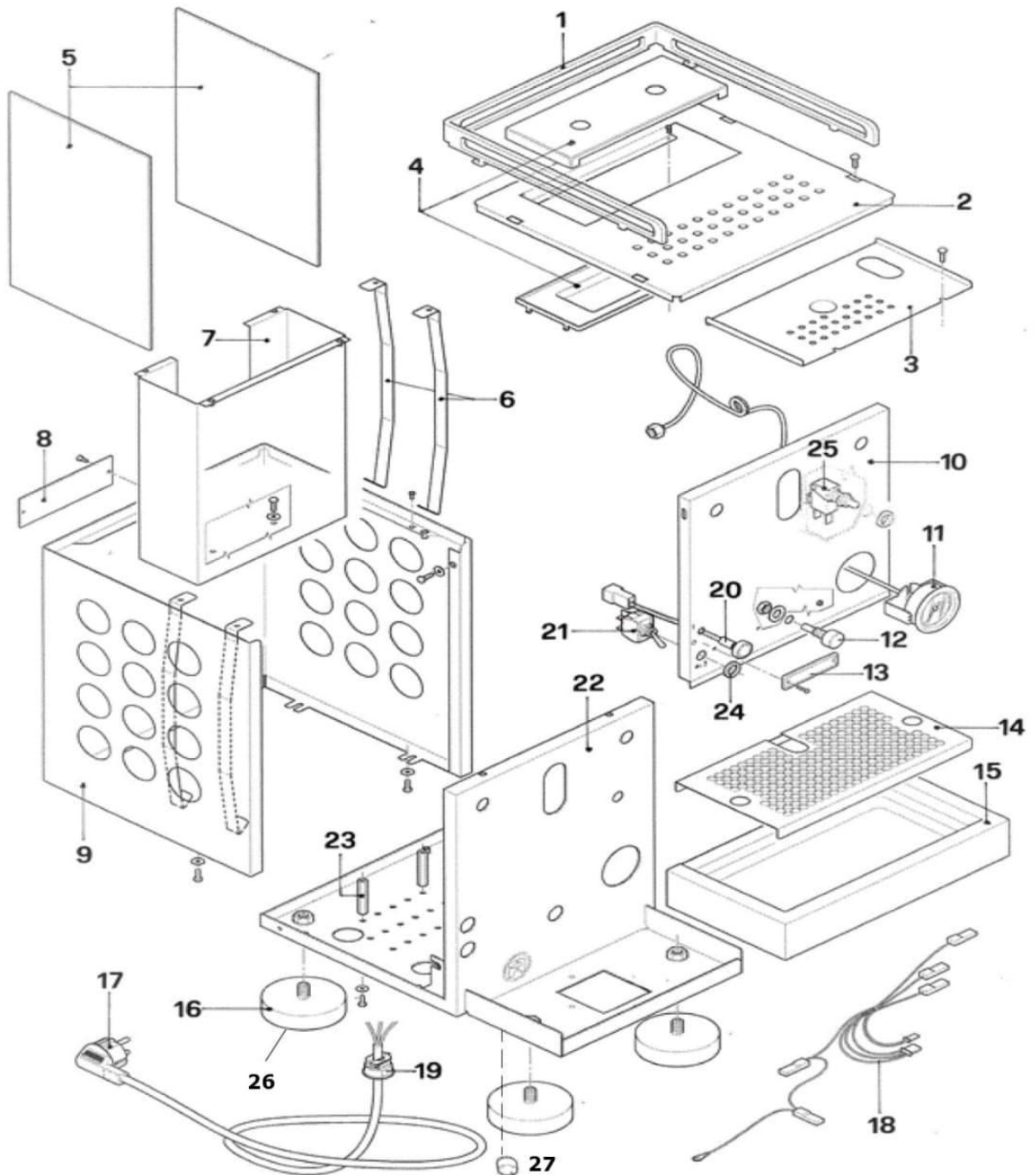
APPARTAMENTO

Espresso Machine

Spare Parts Catalogue

Ed.04.2023

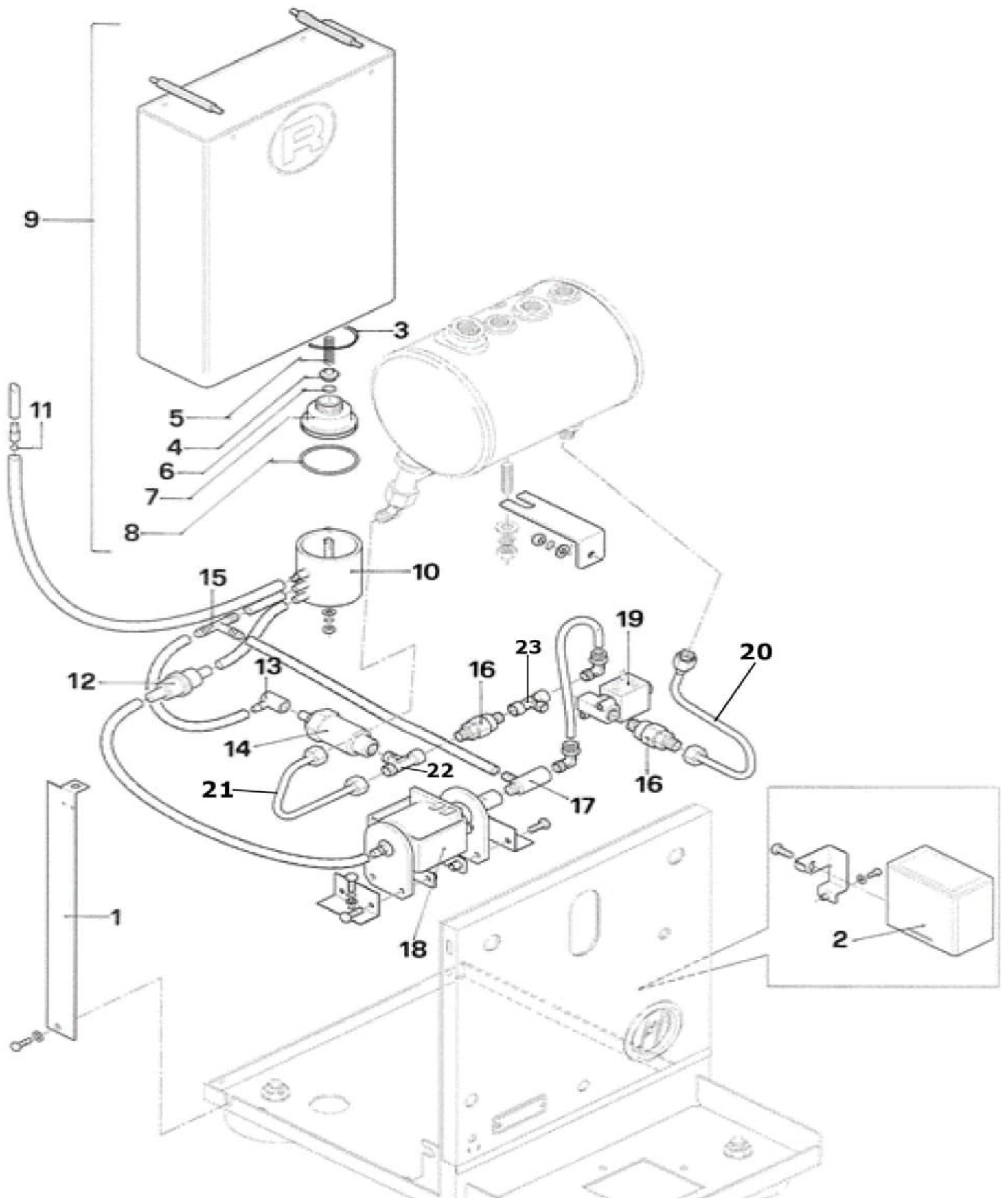
BODYWORK



BODYWORK

os.	#	Description		Notes
1	RA9BV06129	Stainless steel Cups frame black		Final price
1	A639905639	Plastic Cups Tray		
2	A019905631	Cups tray		
3	A019905636	Boiler cover plate		
4	R01L000382	Tank cover		
5	A639905747	Opal white side panel		
	A619905749	Side panel with copper finishing		
6	A019905732	Side panel fixing bracket		
7	A019904656	Tank guide		
8	A859904400	Rear tag		
9	A019905629	Bodywork panel		
	A01B965629	Black Bodywork panel		
10	A011005632	Front panel		
11	A299905785	Boiler pressure gauge		
12	A227704363	Expansion connector		
13	A859905733	Front tag		
14	A019905633	Grid		
15	A01L005630	Drain tray		
16	A059905755	Foot		
17	C199900957	Power cord CE		
	A199904518	Power cord Israel		
	A199904616	Power cord Korea		
	C199900958	Power cord UL		
	C199901115	Power cord AUS/NZ		
	C199901116	Power cord GB		
	C199901510	Power cord CH		
18	A199906562	Wiring loom		Only From S/N D1902
19	C439900086	Cable retainer		
20	A199905886	Green control lamp machine on/off		
21	A199904992	On/Off switch		
22	A009905628	Basement		
23	A529905637	Tank guide fixings		
24	A527704305	Ring nut		
25	A199905198	Microswitch		
26	R849906343	OR for foot		
27	M199905452	ECO mode Switch Appartamento		From S/N D2008

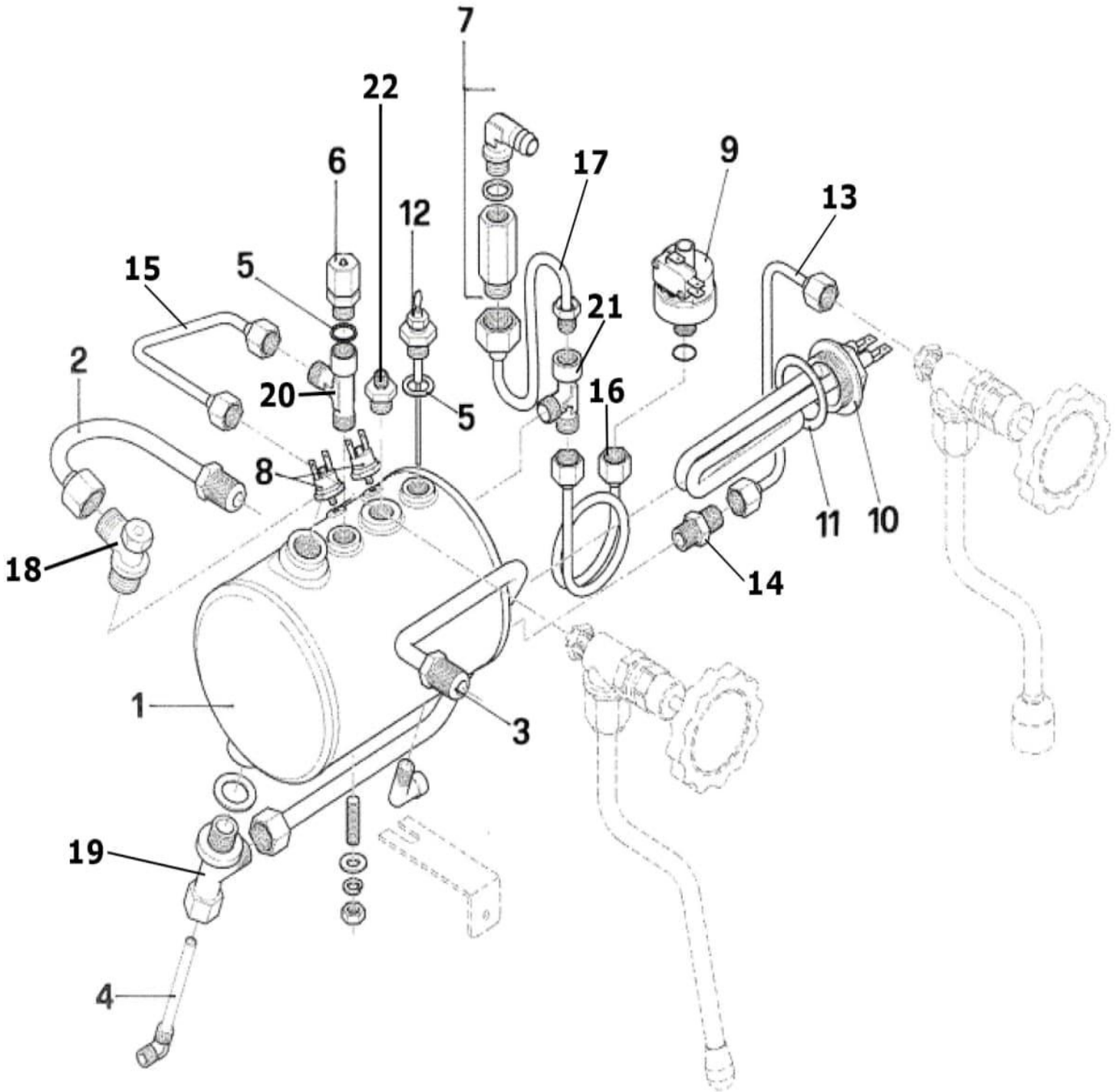
HYDRAULIC PARTS / PUMP AREA



HYDRAULIC PARTS / PUMP AREA

Pos.	#	Description		Notes
1	A019905635	Support		
2	A199907552	Control board V.240		AU,NZ
	A199907550	Control board V. 230		From S/N D1915
	A199907551	Control board V. 115		From S/N D1915
	A190004524	Control board V. 230 (previous model)		To S/N D1915
	A190004525	Control board V. 115 (previous model)		To S/N D1915
3	A449905151	O-Ring		
4	C430003482	Tank connector		
5	C019900711	Spring		
6	C449900702	O-Ring		
7	A439905146	Coupling		
8	A449904547	O-Ring		
9	R899905145	Water tank (complete)		
10	R839905147	Manifold		
11	C430003819	Sphere		
12	C439900695	Filter		
13	C449900709	Rubber connector		
14	C229900911	Expansion valve		
15	C400002827	Rubber T-Connector		
16	C229900540	Non return valve		
17	C200002112	S2 valve		
18	C199900280	Vibration pump V. 230		
	C199900281	Vibration pump V. 115		
19	C190004066	Solenoid valve V. 230		
	C190004067	Solenoid valve V. 115		
20	C229900400	Fill boiler pipe		
21	C229900399	Feeding pipe exchanger		
22	C229900644	T-Joint 1/8 M/M F		
23	C229900703	T-Joint 1/8 F/M F		

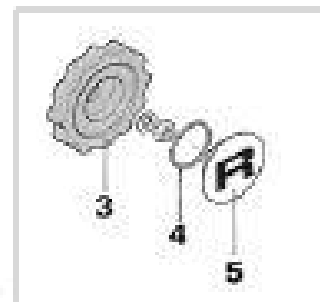
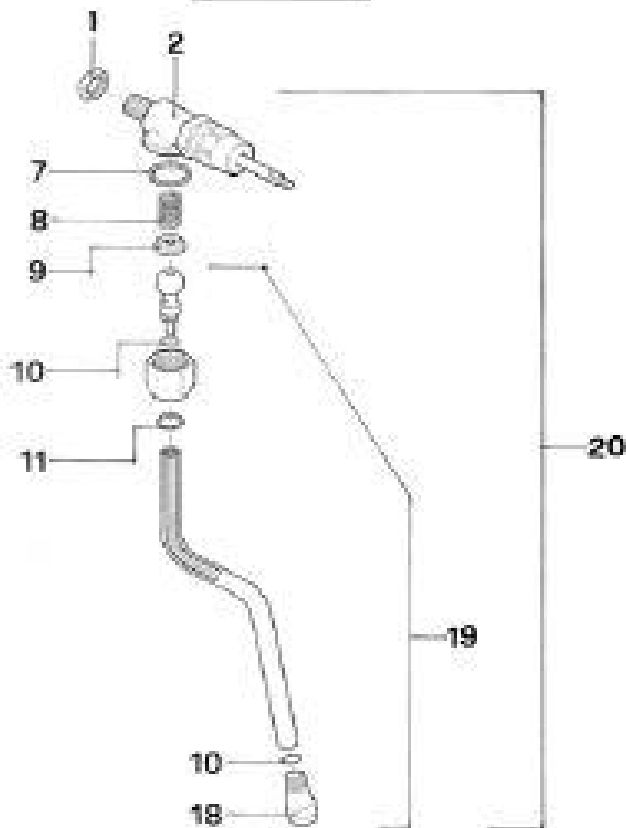
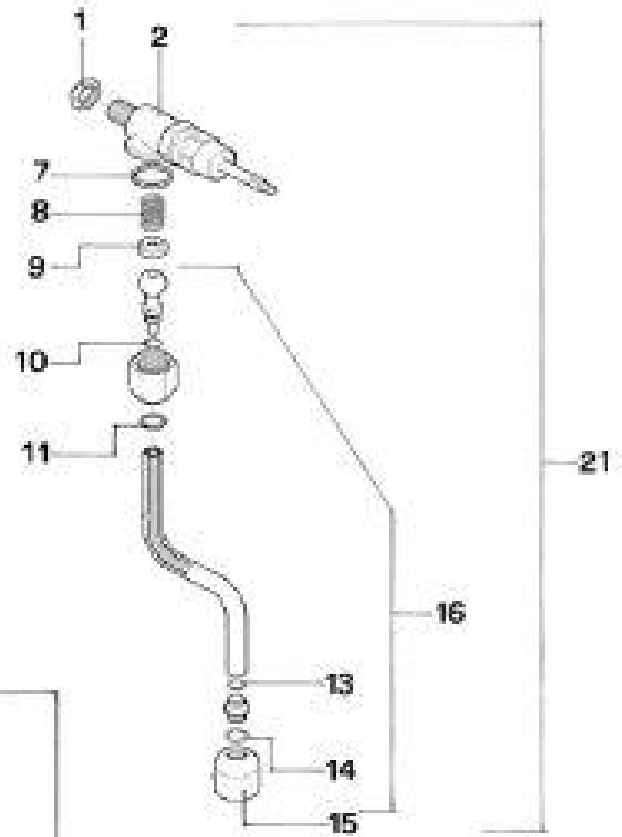
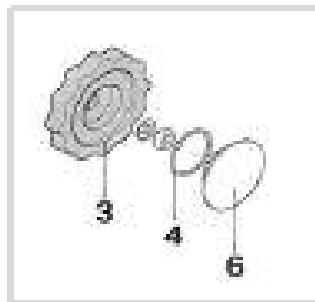
HYDRAULIC PARTS / BOILER AREA



HYDRAULIC PARTS / BOILER AREA

Pos.	#	Description		Notes
1	A27NSF5638	Boiler		
2	A27NI05817	Pipe from boiler to group		
3	A27NI04289	Thermosiphonical return pipe		
4	C22NI00393	Injector		
5	A269904417	Teflon gasket 1/4"		
6	A219905510	Vacuum breaker valve		
7	A299904998	Safety valve		
8	C199901550	Safety Thermostat		
9	C199900294	Pressure switch		AU, USA,NZ,ISR
	A199906971	Pressure switch		ALL OTHERS
10	C199901551	Heating element V. 230		
10	C199901552	Heating element V. 115		
11	C469900239	Heating element gasket		
12	C199900839	Boiler level probe		
13	A27NI06086	Water pipe TeaB		
14	C229900520	Nipples		
15	A27NI06087	Steam Pipe TeaB		
16	A279904292	Pressurestat Pipe		
17	A279905786	Security Valve Pipe		
18	A229904957	Inlet connector		
19	C229900740	Lower thermosiphonical pipe		
20	A229905820	T-Joint 1/4 M/M F with Seal Seat		
21	C229900528	T-Joint 1/4 M/M F		

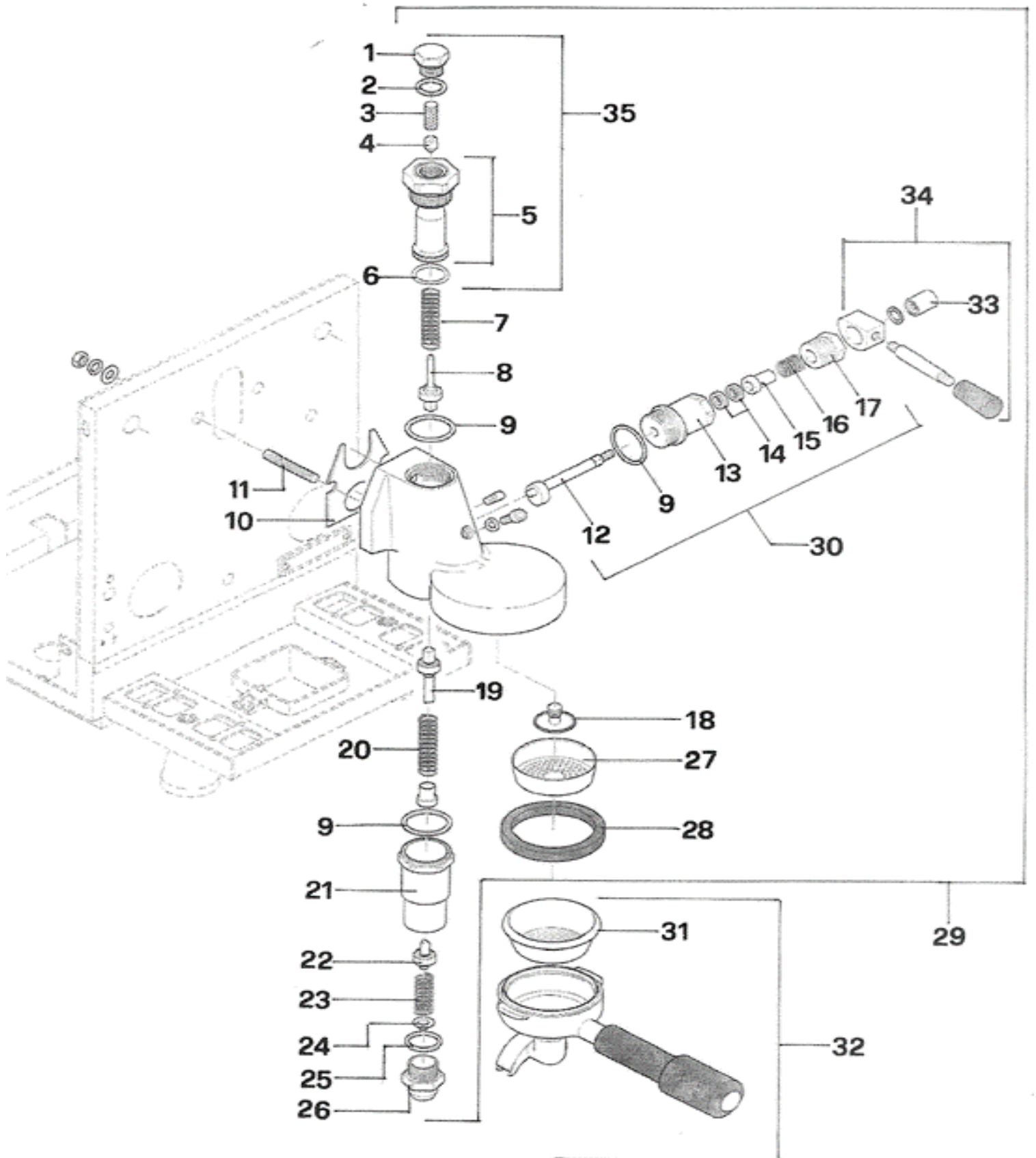
STEAM & HOT WATER VALVE ASSEMBLY



STEAM & HOT WATER VALVE ASSEMBLY

Pos.	#	Description		Notes
1	A329905087	Nut 1/4"		
2	A229905784	Hot Water Steam Pipe		
3	A639905816	Handle		
4	A449904672	O-Ring		
5	A529R04649	"R" cover for steam valve handle		
6	A527704649	Cover for hot water handle		
7	A449904331	Teflon gasket		
8	A209904332	Spring		
9	A229904333	Plate		
10	C400002022	O-Ring		
11	A449904334	O-Ring		
13	C400002022	O-Ring		
14	C400003008	O-Ring		
15	C227700536	Hot water nozzle		
16	R290003612	Hot water wand (complete)		
18	C200002839	Steam nozzle 2 holes 1,5		
19	R290003611	Steam wand (complete)		
20	R299906015	Steam wand with valve		
21	R299906016	Hot water wand with valve		
22	R229905953	Shaft		

Brewing Head ("Group")



Brewing Head ("Group")

Pos.	#	Description		Notes
1	A229904391	Rounded nut		
2	C469900420	Gasket		
3	C619900554	Filter		
4	C229900549	Gigleur 0.8		
5	R299906767	Replacement Ceramic Shaft		
6	C469900422	Green gasket		
7	A999905754	Spring		
8	R229905608	Valve		
9	C469900421	Teflon gasket		
10	C449900767	Gasket		
11	A319904599	Screw		
12	R229905238	Shaft		
13	R000002142	Flange		
14	C219900426	Gasket		
15	R000002143	Support		
16	C219900427	Spring		
17	R000002144	Cam Housing		
18	C229901228	Diffuser		
19	R229905239	Valve		
20	A999905754	Spring		
21	C229901165	Cylinder		
22	R229905609	Valve		
23	R299905958	Spring		
24	R000002148	Connector		
25	C469900783	Gasket		
26	R000002149	Connector		
27	C519900103	Shower foil		
28	C449900229	Group gasket		
29	C200002983	Group complete		
30	R299905887	Cam kit		
31	C610003902	7 g filter basket		
	C610003901	14 g filterbasket		
	C619900106	Backflush cap ("blind filter")		
32	A699905020	1 cup filter holder with basket		
	A699905021	2 cups filter holder with basket		
33	R000002146	Pin		
34	R299905888	Lever assembly		
35	RA99905814	Ceramic group shaft		

CONTROL BOARD TABLE

MACHINE SERIAL NUMBER	MODEL	USE CONTROL BOARD	VERSION USA
EARLY VERSIONS	GIOTTO	A190004275	PRE GREEN PLUG VERSION
EARLY VERSIONS	CELLINI	A190004275	PRE GREEN PLUG VERSION
	GIOTTO TYPE V	A190004524	A190004525
	MOZZAFIATO TYPE V	A190004524	A190004525
	GIOTTO EVOLUZIONE R	A190004524	A190004525
	MOZZAFIATO EVOLUZIONE R	A190004524	A190004525
FROM D1915...	GIOTTO CRONOMETRO V	A199906656	A199906657
FROM D1915...	MOZZAFIATO CRONOMETRO V	A199906656	A199906657
	GIOTTO CRONOMETRO V	NON ECO MODE	REMOVE BRIDGE FROM CONTROL BOARD A199906656
	MOZZAFIATO CRONOMETRO V	NON ECO MODE	REMOVE BRIDGE FROM CONTROL BOARD A199906656
FROM D1915...	GIOTTO CRONOMETRO R	A199906656	A199906657
FROM D1915...	MOZZAFIATO CRONOMETRO R	A199906656	A199906657
	GIOTTO CRONOMETRO R	NON ECO MODE	REMOVE BRIDGE FROM CONTROL BOARD A199906656
	MOZZAFIATO CRONOMETRO R	NON ECO MODE	REMOVE BRIDGE FROM CONTROL BOARD A199906656
TO D1915...	APPARTAMENTO	A190004524	**NB LOW TENSION CONNECTION
			*To modify Appartamento low tension to D1915... to high tension
			1. Use wiring modification file
			2. Use pressurestat 16A
			3. Use control board A199906656
FROM D1915...	APPARTAMENTO ECO MODE	A199906656	A199906657
FROM D1915...	APPARTAMENTO NON ECO MODE	A199906656	REMOVE CONTROL BOARD BRIDGE